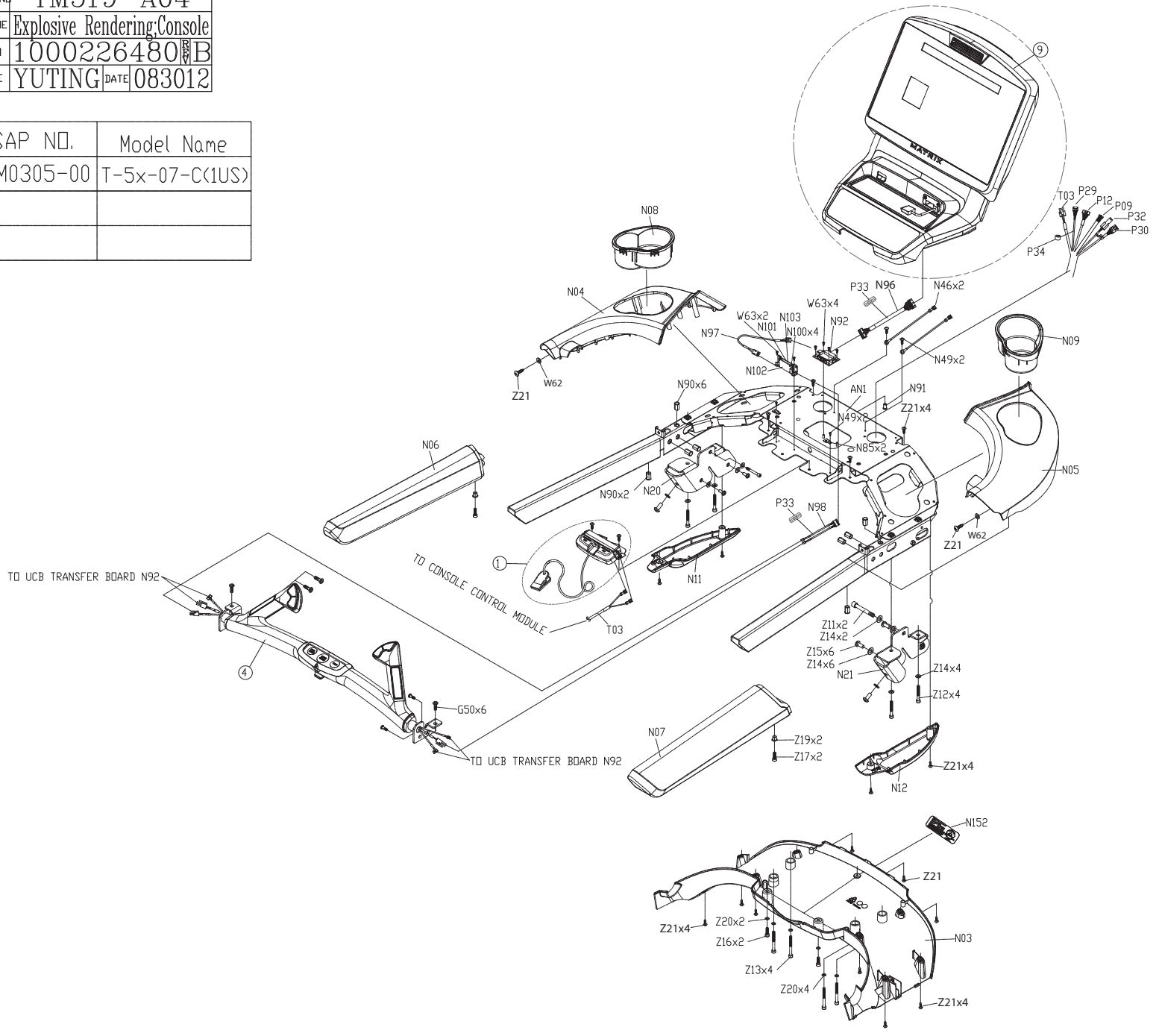
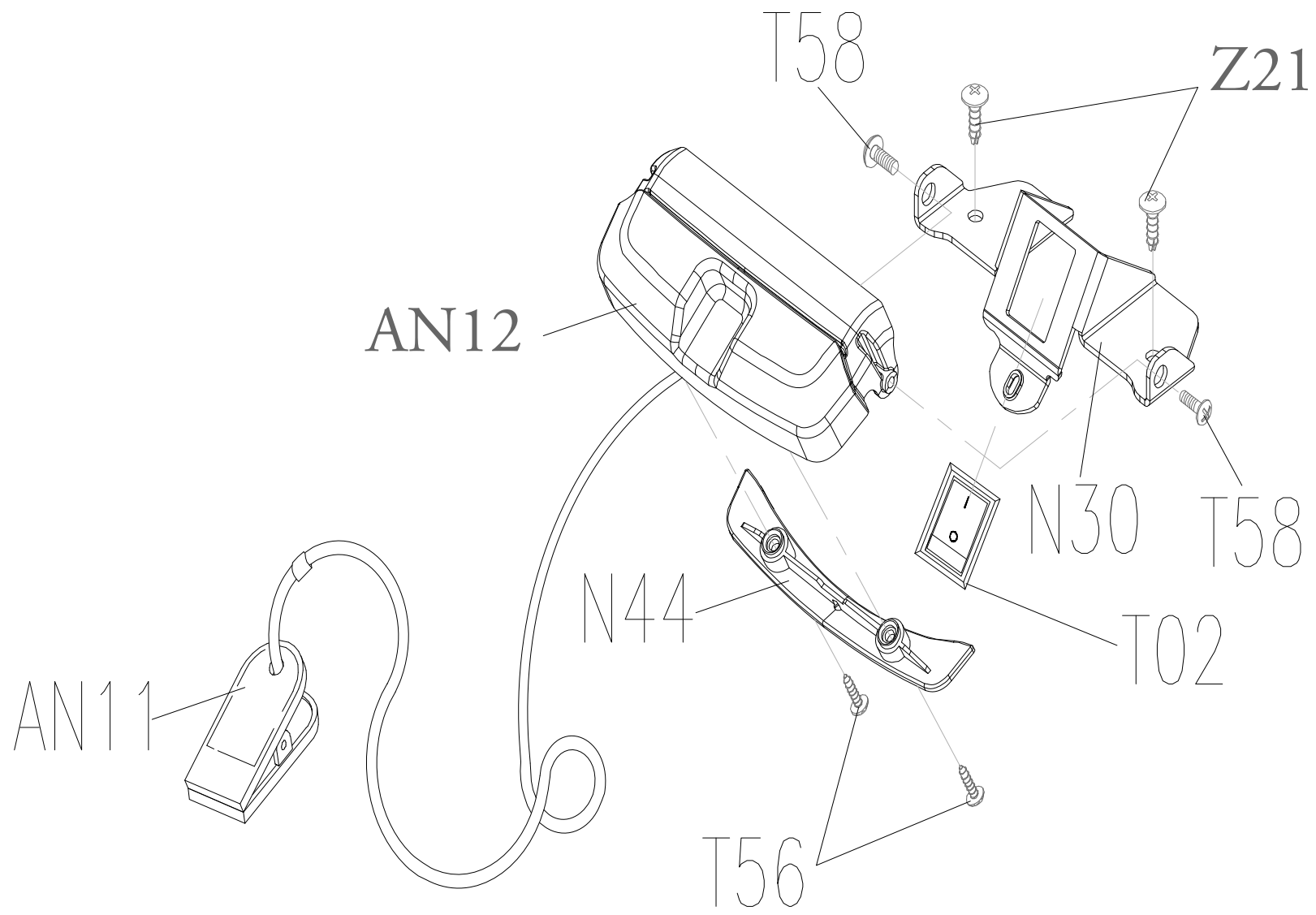


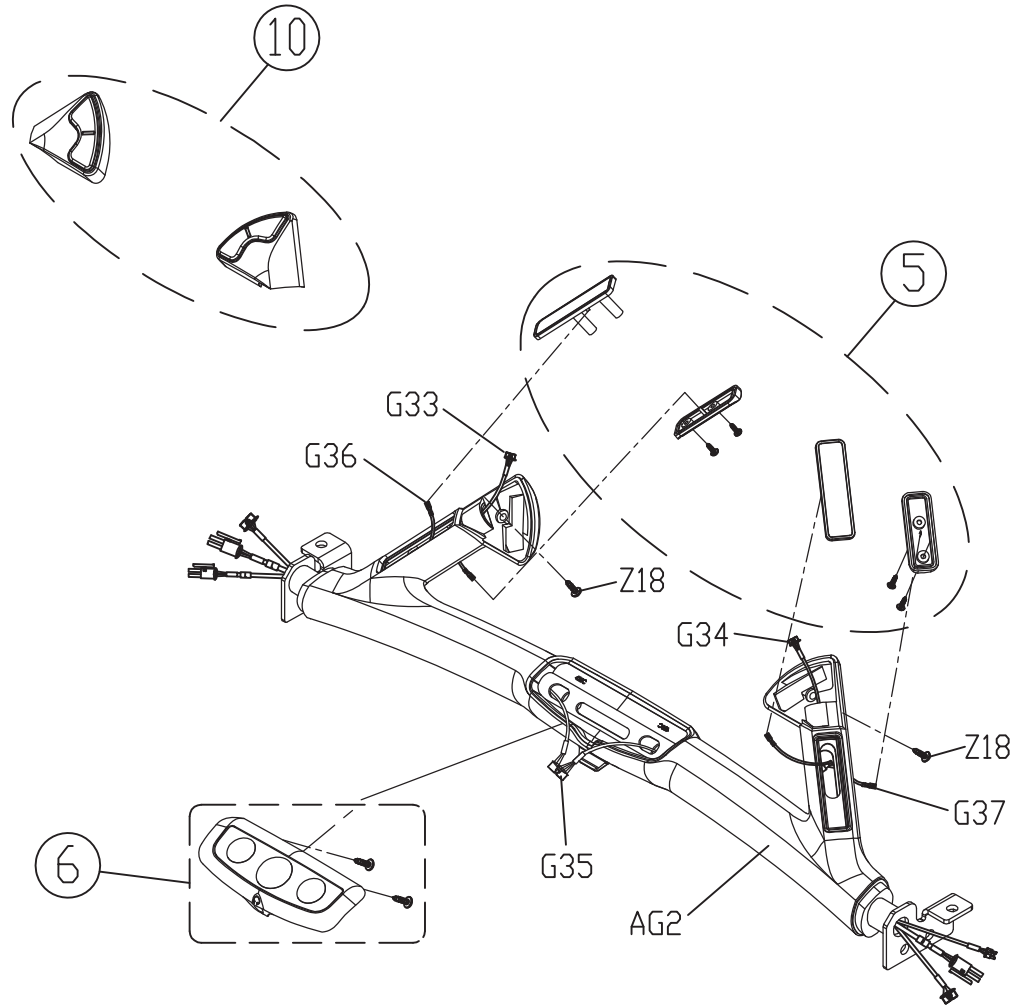
DRAWING NO	TM519-A04
PART NAME	Explosive Rendering Console
PART NO	1000226480
APPROVE	YUTING DATE 083012

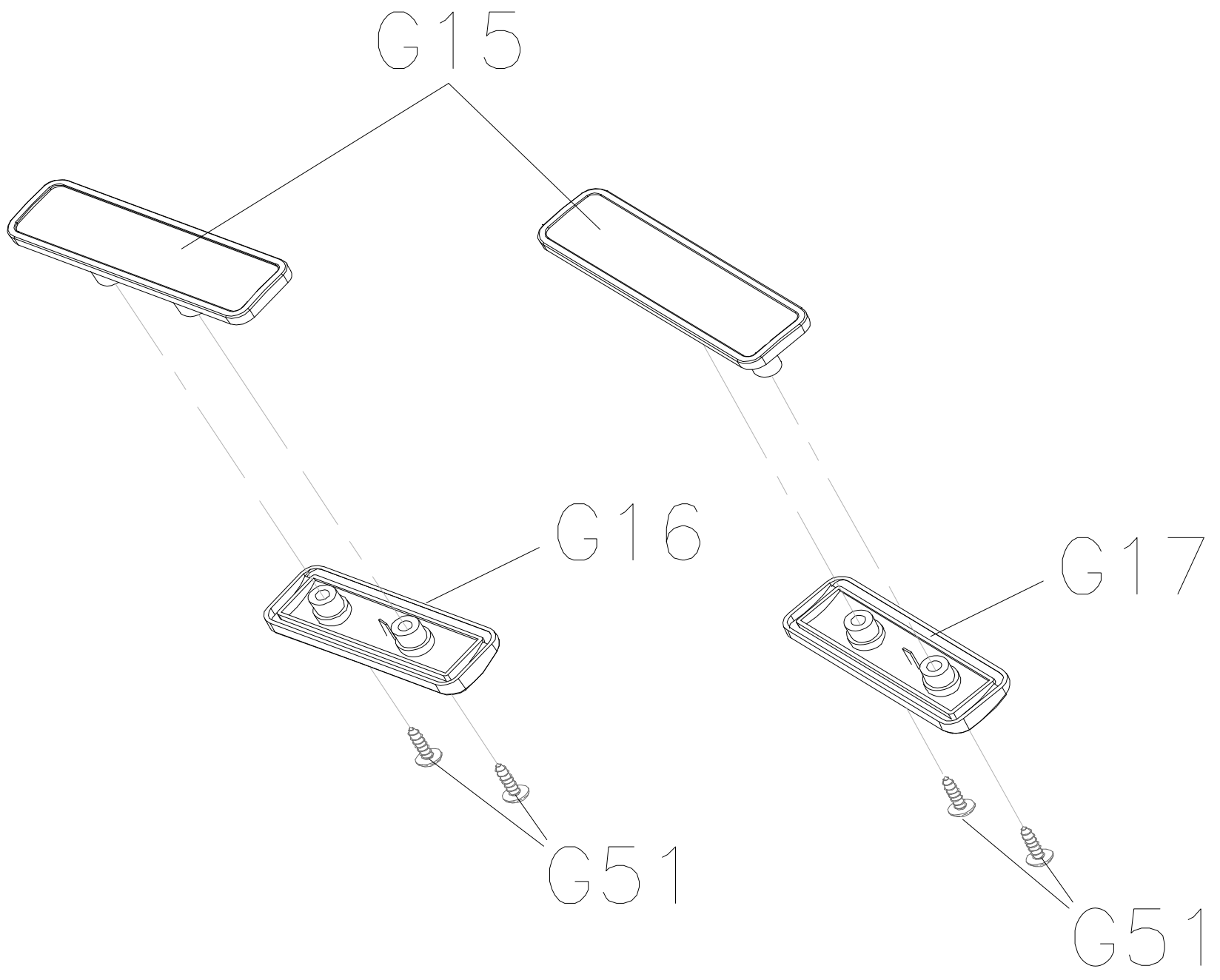
SAP NO.	Model Name
MTM0305-00	T-5x-07-C(1US)





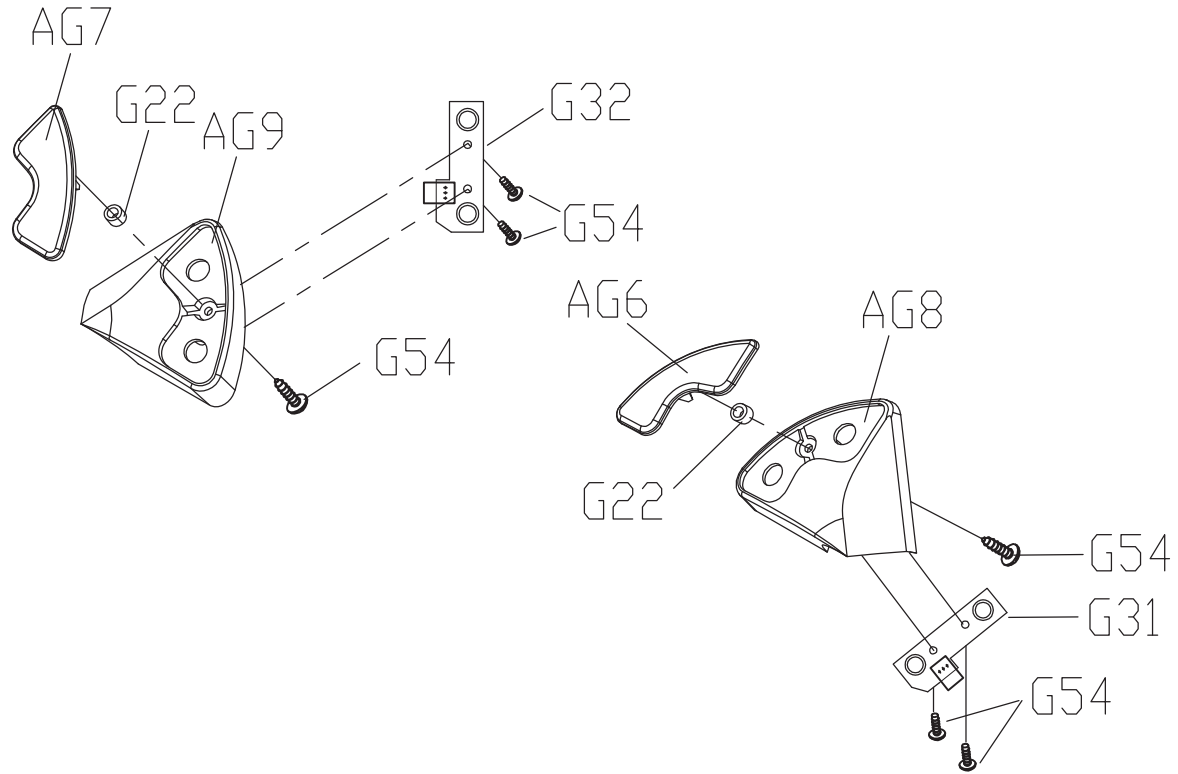
DRAWING NO	TM502-AG11		
PART NAME	Handlebar Set		
PART NO	1000207642  B		
APPROVE	SHUYI	DATE	030111





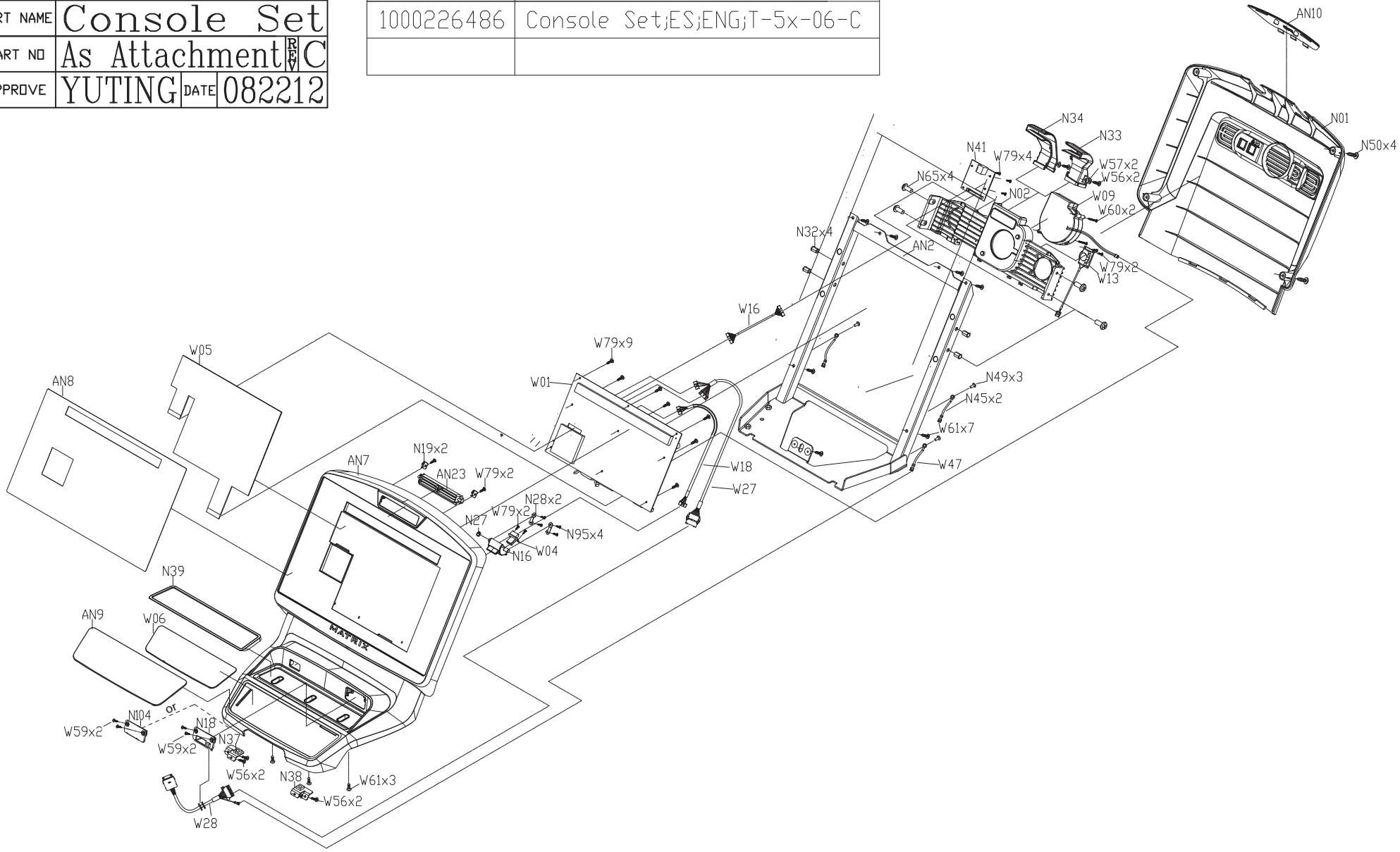


RAWING NO	TM502-AG12		
PART NAME	Quick Key Set		
PART NO	0000089687		
APPROVE	SHUYI	DATE	101211



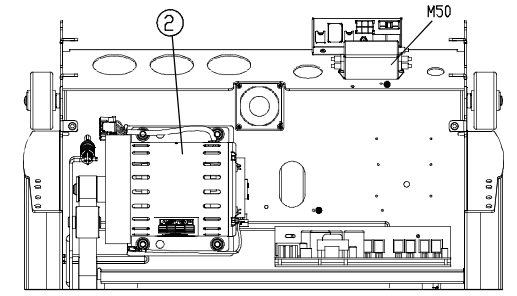
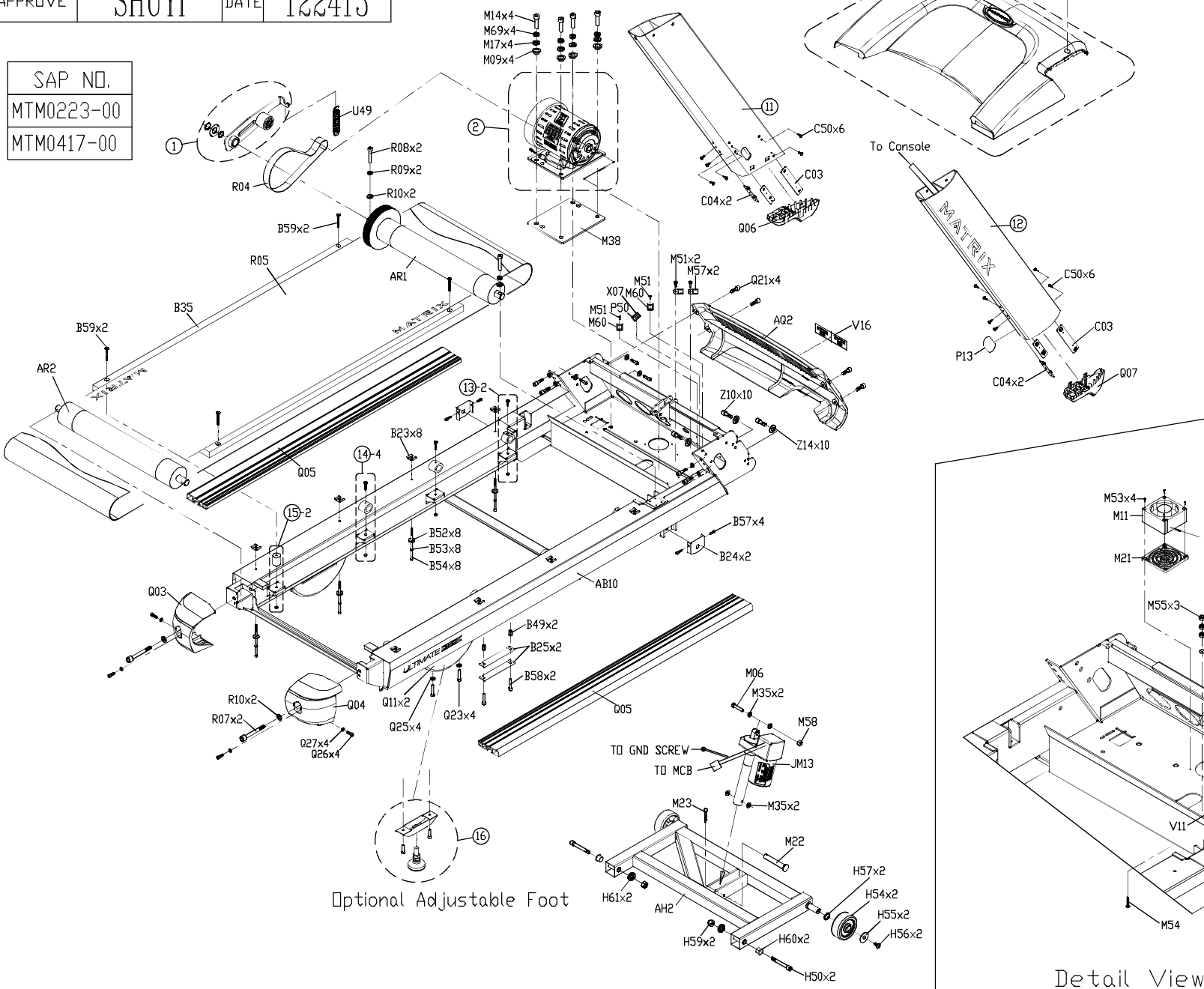
DRAWING NO	TM519-AN6		
PART NAME	Console Set		
PART NO	As Attachment C		
APPROVE	YUTING	DATE	082212

Part NO	Description
1000226486	Console Set;ES;ENG;T-5x-06-C

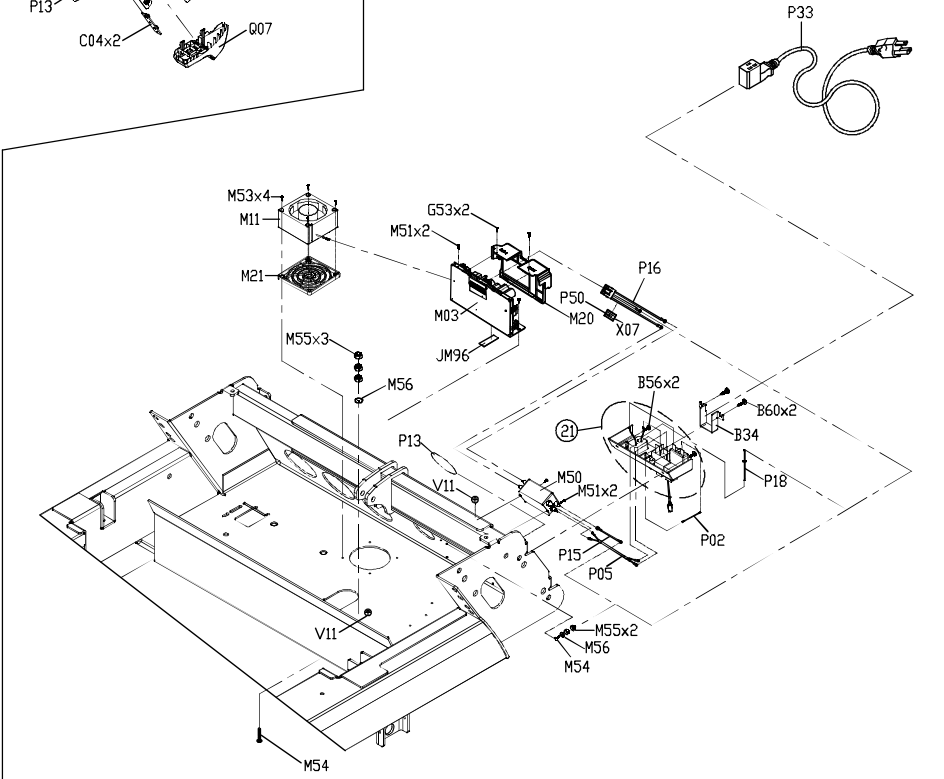


DRAWING NO	TM501E-A04		
PART NAME	Explosive Rendering; Farme		
PART NO	1000216449		
APPROVE	SHUYI	DATE	122413

SAP NO.
MTM0223-00
MTM0417-00



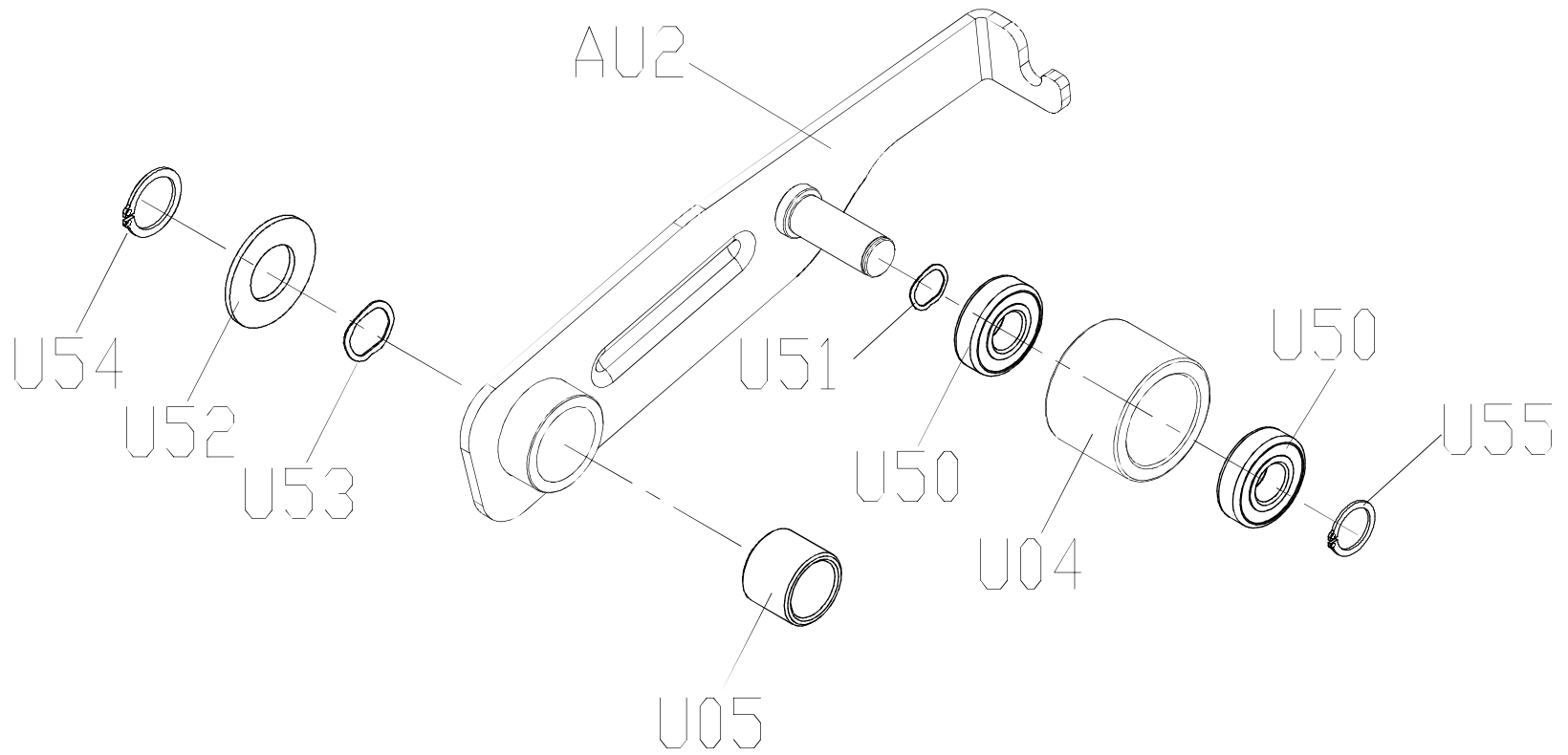
Top View of Electrical Components



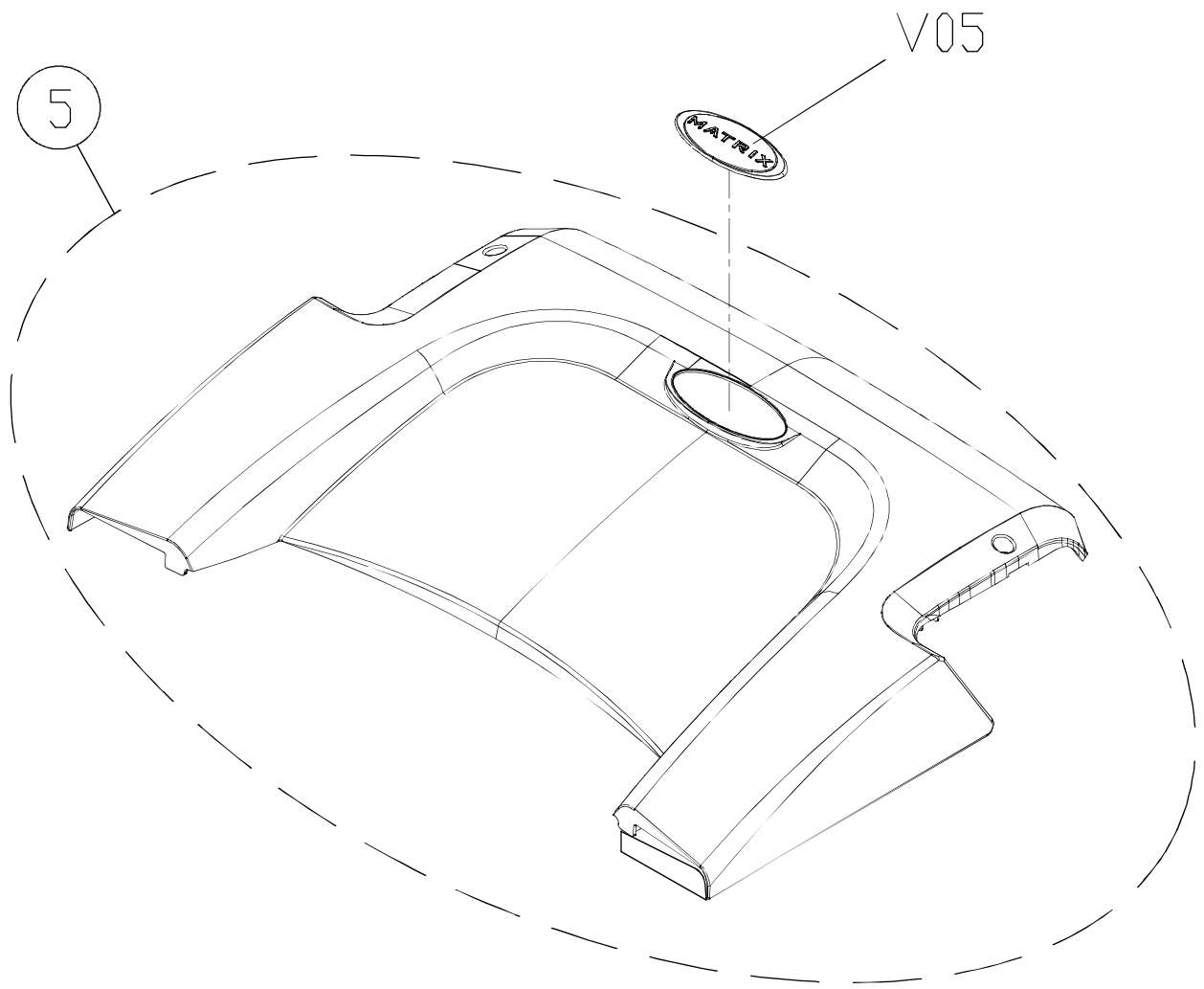
Detail View of Electrical Components



DRAWING NO	TM501-AU11		
PART NAME	TENSION WHEEL SET		
PART NO	0000088969		
APPROVE	SHUYI	DATE	122413

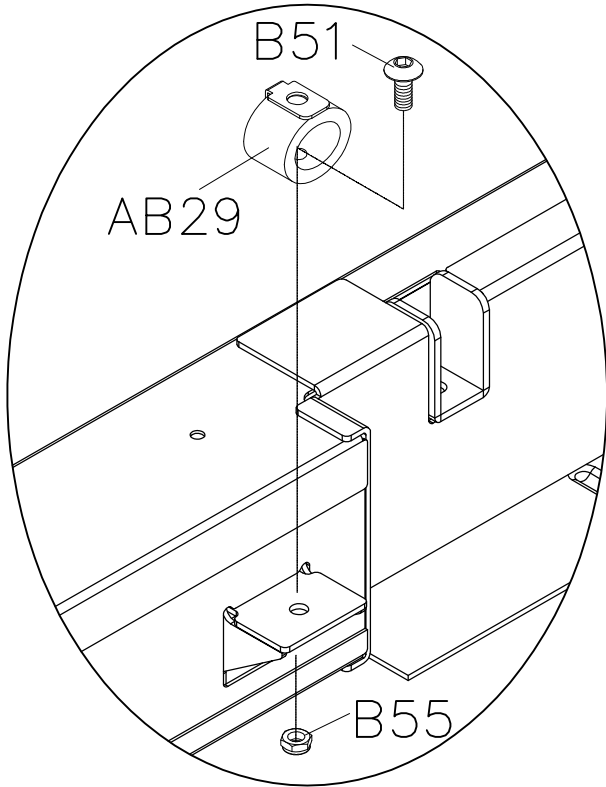
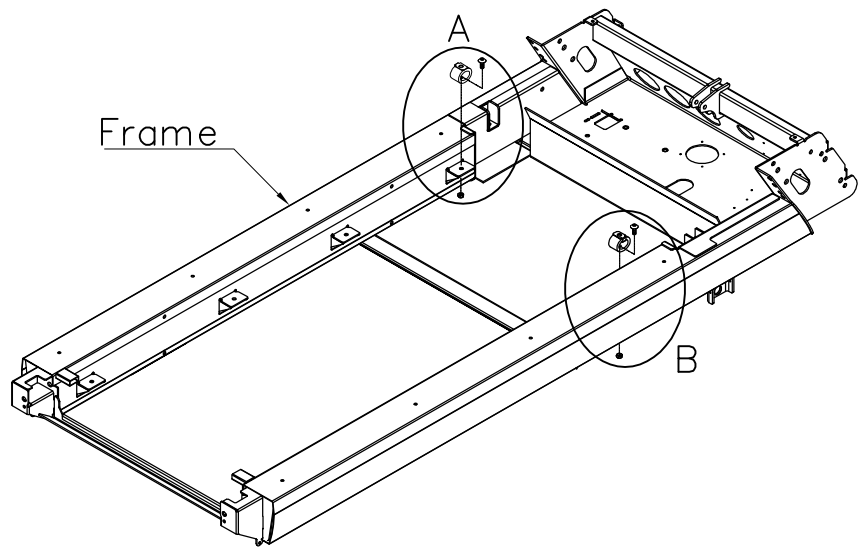


DRAWING NO	TM501-AQ10		
PART NAME	Motor Covver Net;With Lebal		
PART NO	0000088973 B		
APPROVE	SHUYI	DATE	122413

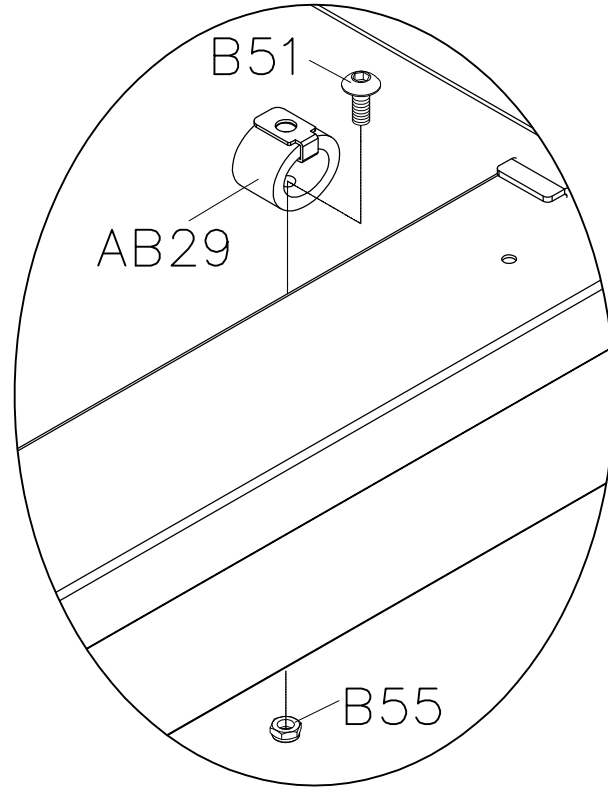


DRAWING NO	TM501-AB21		
PART NAME	Elastomer Set;Running Deck;Front		
PART NO	As Attachment		
APPROVE	S.T.C	DATE	060512

Part No.	Description
0000089487	Nai Ri
1000233263	Miner



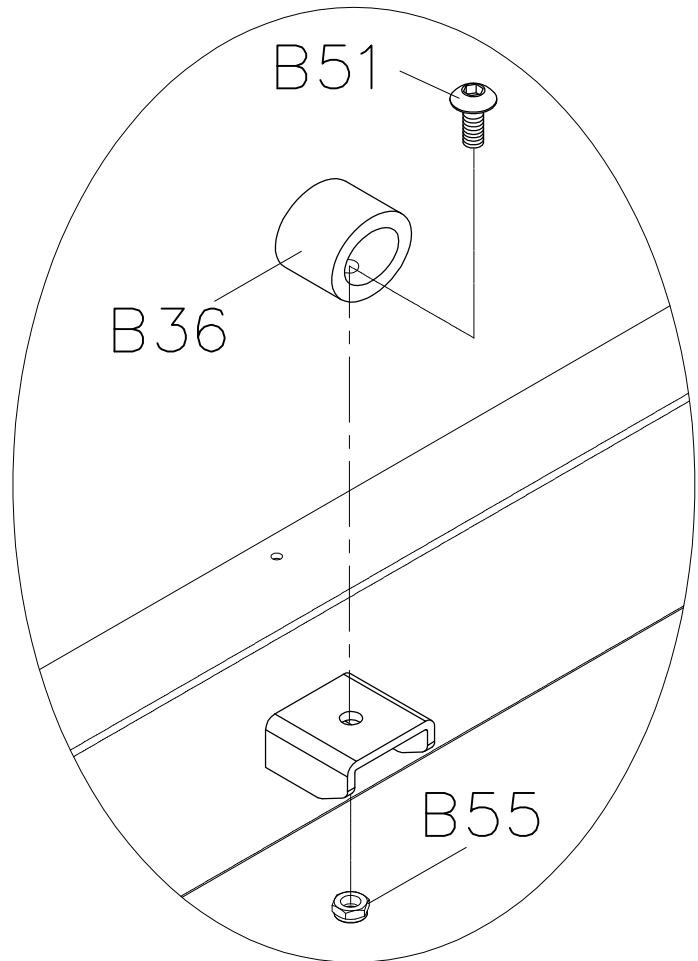
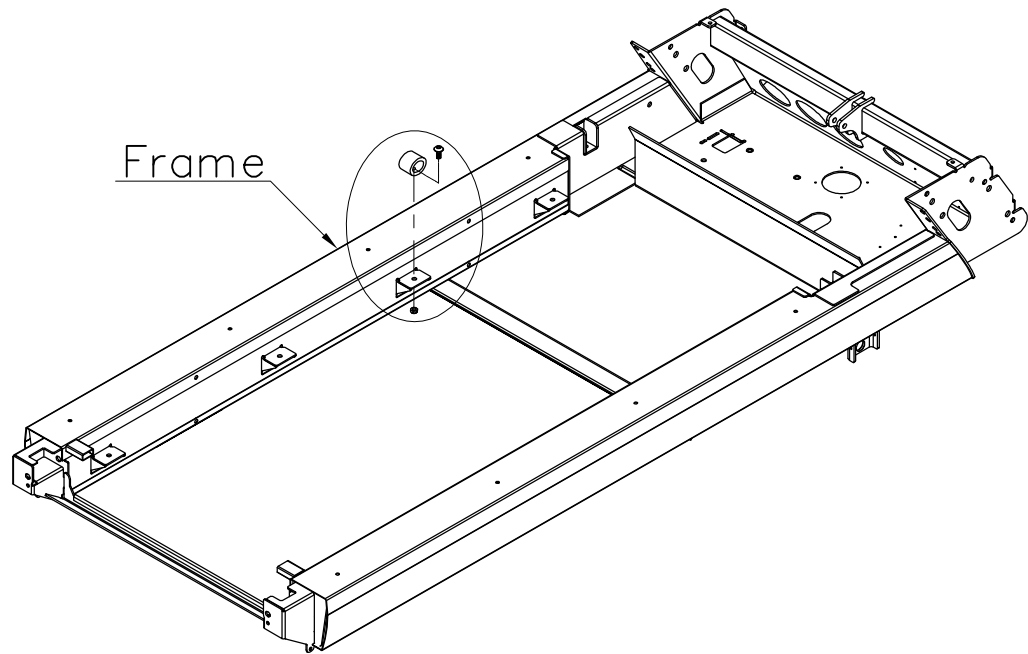
A 詳圖(1:5)



B 詳圖(1:5)

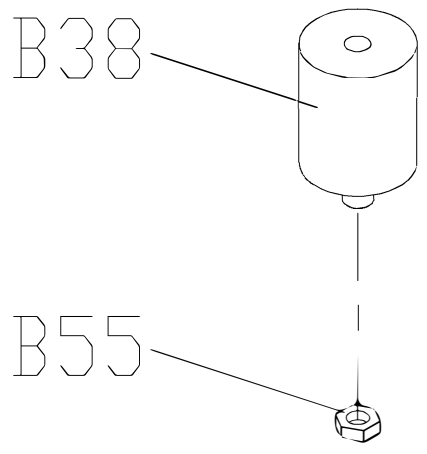
DRAWING NO	TM501-AB22		
PART NAME	Elastomer Set;Running Deck;Middle		
PART NO	As Attachment B		
APPROVE	S.T.C	DATE	060512

Part No.	Description
0000089488	Nai Ri
1000233264	Miner



A(1:5)

DRAWING NO	TM501-AB23		
PART NAME	Elastomer Set;Running Deck;Back		
PART NO			
APPROVE	SHUYI	DATE	122413

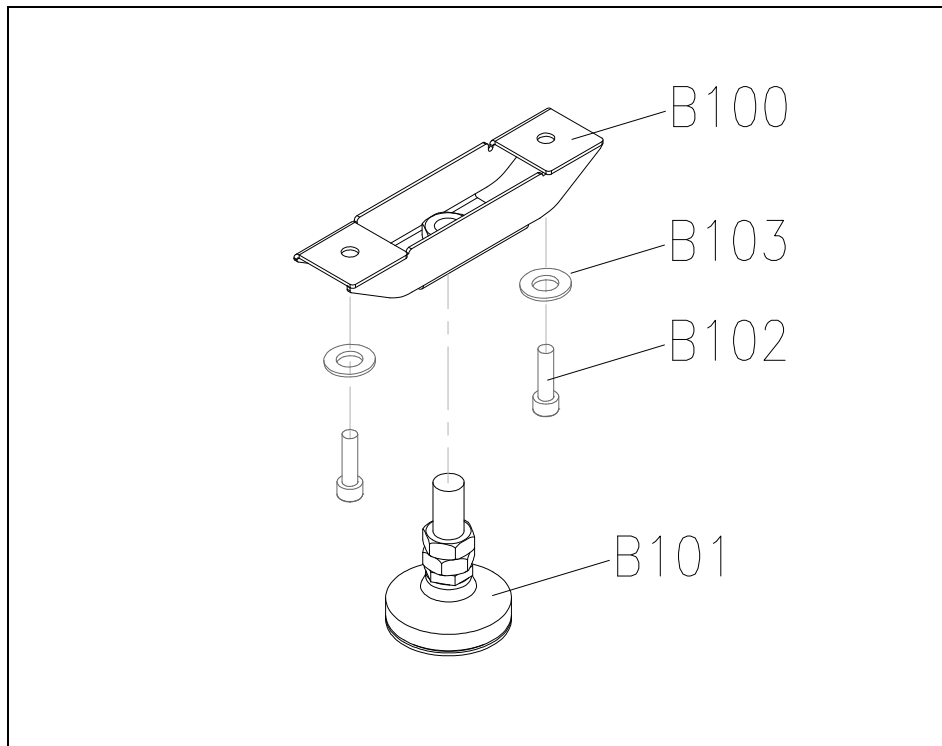




# T5x-02-F

0000088993

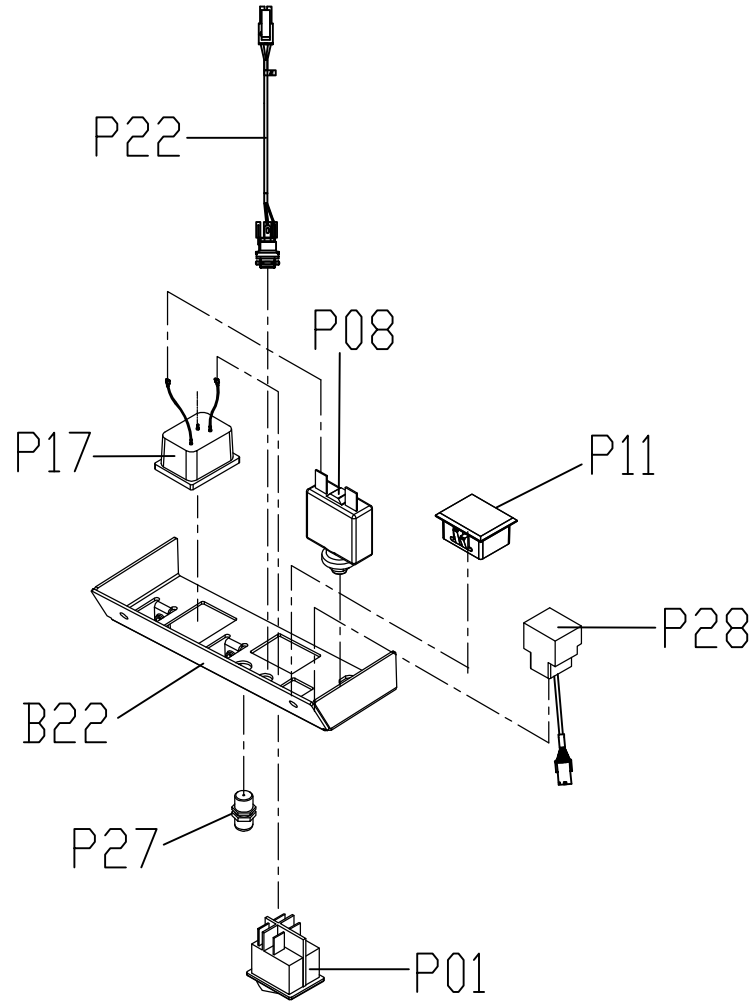
## BACK ADJUSTABLE FOOT SET



Item No.	SAP Part NO	Description	QTY
B100	0000086897	FIX PLATE;FOOT PAD;BACK;	1
B101	0000088994	FOOT PAD; BACK;	1
B102	0000085362	SCREW;SH;	2
B103	005145-A	WASHER;FLAT;	2

DRAWING NO	TM501E-AP12		
PART NAME	Power Switch Set		
PART NO	As Attachment		
APPROVE	SUNNY	DATE	100913

Part NO	Description
1000230705	Power Switch Set;1US;T5x-04
1000302213	Power Switch Set;2KM;T-5X/7X-04-F4



DRAWING NO	TM501C-AM1		
PART NAME	Motor Set		
PART NO	1000204065 R/C		
APPROVE	SUNNY	DATE	113011

Notes :  
Deviation :under 0.4mm

